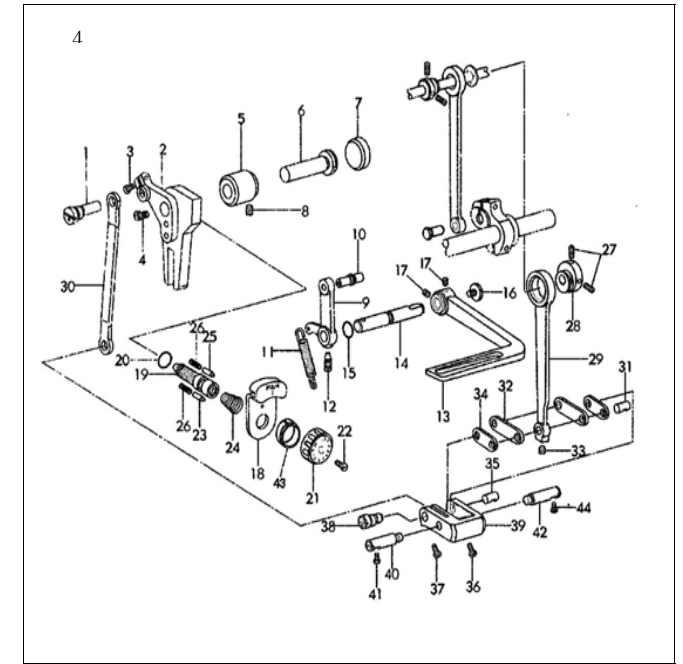
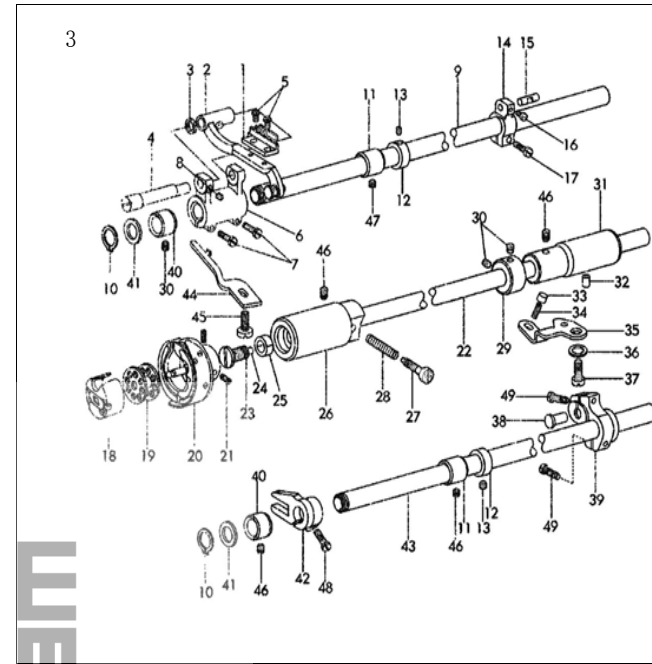
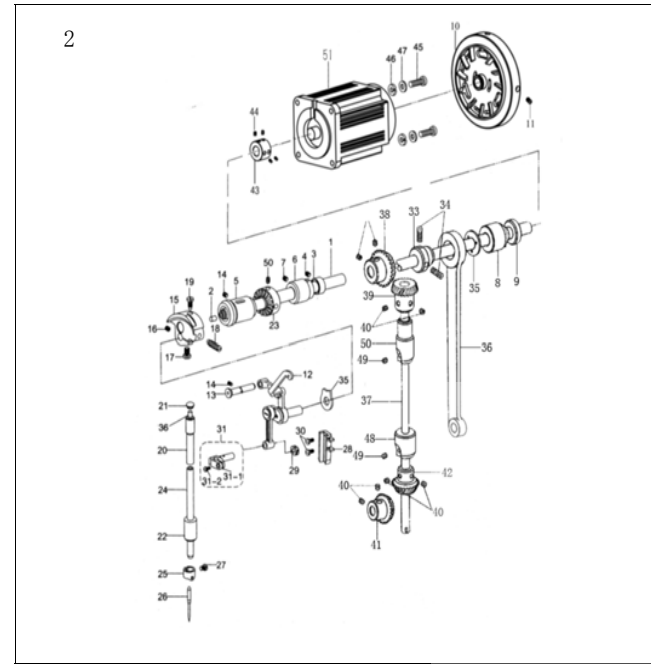
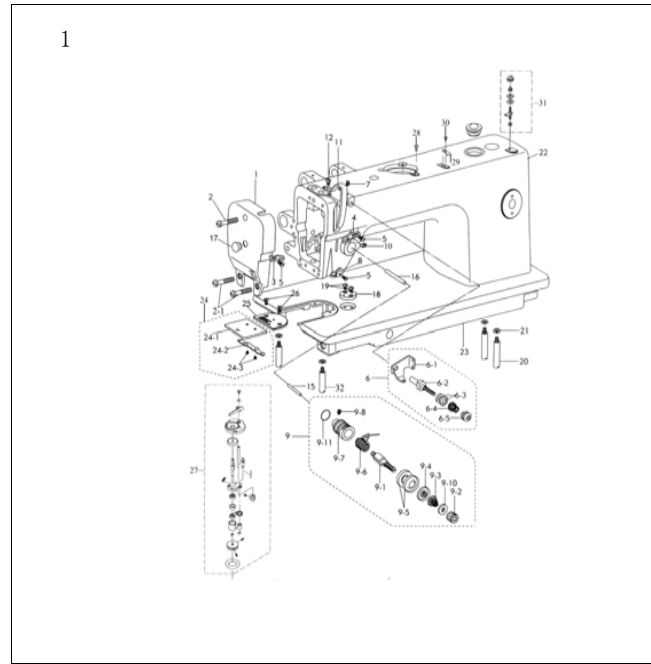


# 6380B 系列

厚料平缝机系列产品 Heavy duty lockstitch sewing machine

零件手册

Parts Manual



## 1. 机壳、外装分组件/Machine frame & miscellaneous cover components

序号NO.	公司件号	Part NO.	名称 PartName	零件描述 Description	数量 Number
1	301758		面板	Face plate asm	1
2	301511025		面板螺钉	Screw	1
3	13512003		面板螺钉	Screw	2
4	13512009		面板线引	Low thread guide	1
5	101511005		线号	Low thread guide	1
6	135130000		线号螺钉	Screw	3
6-1	135130001		小头线零件	BOBBIN THREAD TENSIONISM	1
6-2	135130002		小头线过线板	BOBBIN THREAD TENSION ROD	1
6-3	135130001		小头线螺钉	BOBBIN THREAD TENSION ROD	1
6-4	135130002		小头线板	THREAD TENSION DISK	2
6-5	13627001		小头线弹簧	CONNECTING ROD SPRING	1
6-6	101511001		小头线螺母	NUT	1
7	135130010		小头线固定螺钉	SCREW	1
8	135130010		下勾线	FRAME THREAD GUIDE	1
9	136130000		头线零件	Thread tension asm	1
9-1	135130002		头线螺钉	Thread tension post	1
9-2	101511001		头线螺母	Tension nut	1
9-3	13527002		头线弹簧	Thread tension spring	1
9-4	13513004		头线板	Stk stopper	1
9-5	13513005		头线板	Thread tension disk	2
9-6	13527003		头线簧	Takeup spring	1
9-7	13513006		头线调节座	Thread tension post base	1
9-8	101515005		头线调节座螺钉	Screw	1
9-9	13513008		头线螺母止动板	Tension disc stopper	1
9-10	101515005		头线螺母	Ring 4.5x1.5	1
9-11	101515005		头线螺母	Ring 4.5x1.5	1
10	135130010		头线固定螺钉	Screw	1
11	101760		头线调节座	Thread take-up lever cover	1
12	301511016		头线调节座螺钉	Screw	1
13	136130001		头线零件	Thread release pin	1
14	136130002		头线零件	Thread release pin	1
15	136130002		头线零件	Thread release pin	1
16	136130002		头线零件	Thread release pin	1
17	13522001		头线零件	Thread release pin	1
18	101512002		头线零件	Thread release pin	1
19	101512002		头线零件	Thread release pin	1
20	13522001		头线零件	Thread release pin	1
21	101512002		头线零件	Thread release pin	1
22	13522001		头线零件	Thread release pin	1
23	13522001		头线零件	Thread release pin	1
24	13522001		头线零件	Thread release pin	1
25	13515001		头线零件	Thread release pin	1
26	101517002		头线零件	Thread release pin	1
27	13515001		头线零件	Thread release pin	1
28	114110010		头线零件	Thread release pin	1
29	114150001		头线零件	Thread release pin	1
30	101511005		头线零件	Thread release pin	1
31	101511005		头线零件	Thread release pin	1
32	13522001		头线零件	Thread release pin	1

## 2. 上轴挑线分组件/Main shaft & thread take-up components

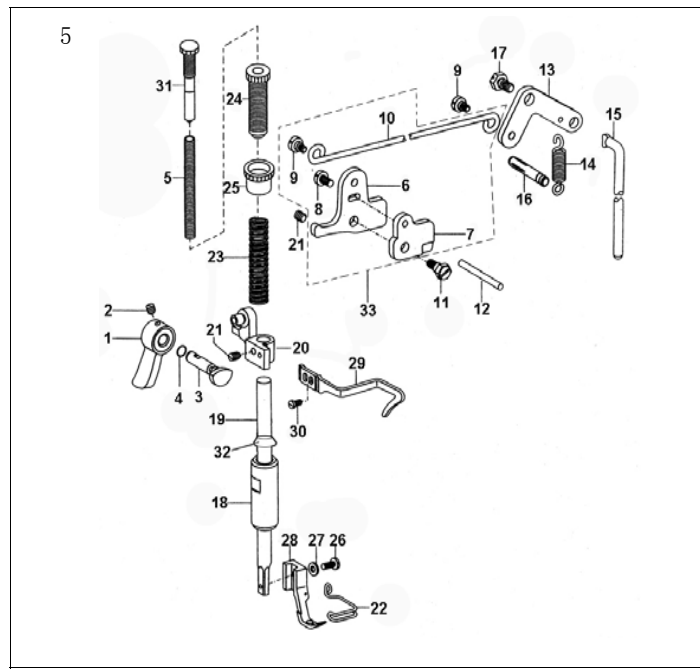
序号NO.	公司件号	Part NO.	名称 PartName	零件描述 Description	数量 Number
1	13602010		上轴	Main shaft	1
2	10122012		上轴橡皮塞	Rubber plug	1
3	13500001		上轴螺母	Thrust collar asm.	1
4	13515004		上轴前螺母	Screw	2
5	13602001		上轴前螺母	Main shaft bushing, front	1
6	13502002		上轴中螺母	Brushing, intermediate	1
7	13515006		上轴后螺母	Screw	1
8	101511008		上轴后螺母	Main shaft bushing, back	1
9	13522010		上轴后轴封套	Main shaft	1
10	13505002		上轴轴	Screw	1
11	510009		上轴轴	Screw	2
12	13538003		挑线轴零件	Thread take-up asm	1
13	13502003		挑线轴零件	Thread take-up crank shaft	1
14	135150009		挑线轴零件	Screw	2
15	13504001		挑线轴零件	Counterweight	1
16	13512001		挑线轴零件	Screw	1
17	101515007		挑线轴零件	Screw	1
18	101515004		挑线轴零件	Screw	1
19	13511002		挑线轴零件	Screw	1
20	13503006		挑线轴零件	Screw	1
21	10122013		挑线轴零件	Screw	1
22	13600003		挑线轴零件	Screw	1
23	11450113		挑线轴零件	Screw	1
24	13502002		挑线轴零件	Screw	1
25	13513011		挑线轴零件	Screw	1
26	13517001		挑线轴零件	Screw	1
27	101511006		挑线轴零件	Screw	1
28	13600001		挑线轴零件	Screw	1
29	1140001		挑线轴零件	Screw	1
30	101511008		挑线轴零件	Screw	1
31	101511002		挑线轴零件	Screw	1
31-1	10138002		挑线轴零件	Screw	1
31-2	101511005		挑线轴零件	Screw	1
32	201511009		挑线轴零件	Screw	1
33	13510001		挑线轴零件	Screw	1
34	13515007		挑线轴零件	Screw	1
35	13528002		挑线轴零件	Screw	1
36	13505001		挑线轴零件	Screw	1
37	13502002		挑线轴零件	Screw	1
38	13529001		挑线轴零件	Screw	1
39	13529002		挑线轴零件	Screw	1
40	101515007		挑线轴零件	Screw	1
41	13529003		挑线轴零件	Screw	1
42	13529004		挑线轴零件	Screw	1
43	13602018		挑线轴零件	Screw	1
44	510007		挑线轴零件	Screw	4
45	114513001		挑线轴零件	Screw	4
46			挑线轴零件	Screw	4
47			挑线轴零件	Screw	4
48	13503005		挑线轴零件	Screw	1
49	13515008		挑线轴零件	Screw	2
50	13503004		挑线轴零件	Screw	1
51	136030030		挑线轴零件	Screw	1

## 3. 抬牙、送布、勾线部件 Feed Dog Lift And Feed And Thread Looping

序号NO.	公司件号	Part NO.	名称 PartName	零件描述 Description	数量 Number
1	13514001		送布牙	Feed dog	1
2	135070030		送布架小组件	Feed bar asm	1
3	13512004		送布架	Feeder	1
4	13502006		送布架轴	Feed bar shaft	1
5	101511018		送布架轴	Screw	2
6	13504002		送布架轴	Feed rocker asm.	1
7	101511016		送布架轴	Screw	2
8	101511008		送布架轴	Screw	1
9	13502006		送布架轴	Feed rocker shaft	1
10	101511015		送布架轴	Retaining ring	2
11	13503009		送布架轴	Thrust collar asm.	2
12	13509001		送布架轴	Screw	2
13	135515004		送布架轴	Screw	4
14	13502004		送布架轴	Feed rocker shaft crank asm	1
15	13529007		送布架轴	Walking foot pin	1
16	101511025		送布架轴	Screw	1
17	105511019		送布架轴	Screw	1
18	10181502		送布架轴	Hook asm	1
19	10181501		送布架轴	Bobbin	1
20	10181001		送布架轴	Hook asm	1
21	135515020		送布架轴	Screw	3
22	13502007		送布架轴	Hook driving shaft	1
23	135520007		送布架轴	Screw	1
24	11423003		送布架轴	Oil seal	1
25	10122015		送布架轴	Oil seal	1
26	13503009		送布架轴	Bushing, front	1
27	135520008		送布架轴	Oil adjusting screw	1
28	13527005		送布架轴	Spring	1
29	10106002		送布架轴	Thrust collar asm.	1
30	101511012		送布架轴	Screw	3
31	13503010		送布架轴	Bushing, rear	1
32	13521001		送布架轴	Oil pipe for hook shaft bushing	1
33	13502008		送布架轴	Plunger	1
34	13527006		送布架轴	Plunger spring	1
35	10152009		送布架轴	Guide plate	1
36	102004		送布架轴	Washer	1
37	135511019		送布架轴	Screw	1
38	13502009		送布架轴	Hinge pin	1
39	13504005		送布架轴	Feed lifting rock shaft crank(right)	1
40	13503011		送布架轴	Bushing for feed rock shaft(right)	2
41	13529006		送布架轴	Washer	1
42	13505004		送布架轴	Feed forked connection	1
43	13502010		送布架轴	Feed lifting rock shaft	1
44	13512010		送布架轴	Rotating hook positioner	1
45	101511011		送布架轴	Screw	1
46	135515009		送布架轴	Screw	4
47	135515006		送布架轴	Screw	1
48	101511020		送布架轴	Screw	1
49	201511027		送布架轴	Screw	2

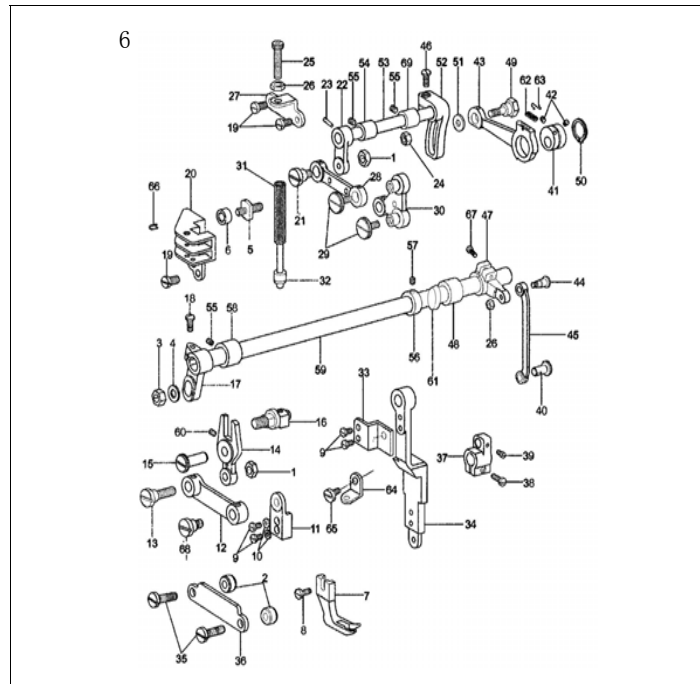
## 4. 送布调节部件 Feed Mechanism

序号NO.	公司件号	Part NO.	名称 PartName	零件描述 Description	数量 Number
1	13510002		针距调节连接销钉	Hinge pin	1
2	13509003		针距调节器	Feed regulator	1
3	101511020		针距调节螺钉	Screw	1
4	135511009		针距调节套	Feed regulator bushing	1
5	13503012		针距调节套	Feed regulator bushing	1
6	13502011		针距调节套	Hinge pin for feed regulator	1
7	13522014		针距调节套	Rubber plug (φ19.5)	1
8	135515009		针距调节套	Screw	1
9	13504006		针距调节套	Slide block pin	1
10	13502012		针距调节套	Slide block	1
11	13527007		针距调节套	Spring for feed crank	1
12	135515014		针距调节套	Screw	1
13	13551001		针距调节套	Reverse feed lever	1
14	13502013		针距调节套	Reverse feed lever shaft	1
15	101045		针距调节套	O-ring	1
16	135511022		针距调节套	Screw	1
17	135511009		针距调节套	Screw	2
18	13512011		针距调节套	Feed regulator key-press	1
19	135530003		针距调节套	Feed regulator screw bar	1
20	101046		针距调节套	O-ring	1
21	13511002		针距调节套	Dial	1
22	101511022		针距调节套	Dial screw	1
23	13526004		针距调节套	Dial stopper pin	1
24	13527009		针距调节套	Dial spring for stopper pin	1
25	13526002		针距调节套	Stopper pin	1
26	13527008		针距调节套	Spring for stopper pin	2
27	135515007		针距调节套	Screw	3
28	13510003		针距调节套	Feed drive eccentric cam	1
29	13505005		针距调节套	Rocker shaft connecting rod	1
30	13505006		针距调节套	Feed regulator connecting rod	1
31	13502014		针距调节套	Walking foot link	1
32	13505007		针距调节套	Walking foot pin	2
33	101511025		针距调节套	Screw	1
34	13505008		针距调节套	connecting link	2
35	13526003		针距调节套	Walking foot link	1
36	201511012		针距调节套	Screw	1
37	201511007		针距调节套	Screw	1
38	13502015		针距调节套	Hinge pin	1
39	13504007		针距调节套	Walking foot adjusting link	1
40	13502016		针距调节套	Adjusting link fulcrum shaft	1
41	105511019		针距调节套	Screw	1
42	13502017		针距调节套	Adjusting link fulcrum shaft	1
43	13522007		针距调节套	Rubber plug	1
44	11411004		针距调节套	Screw	1



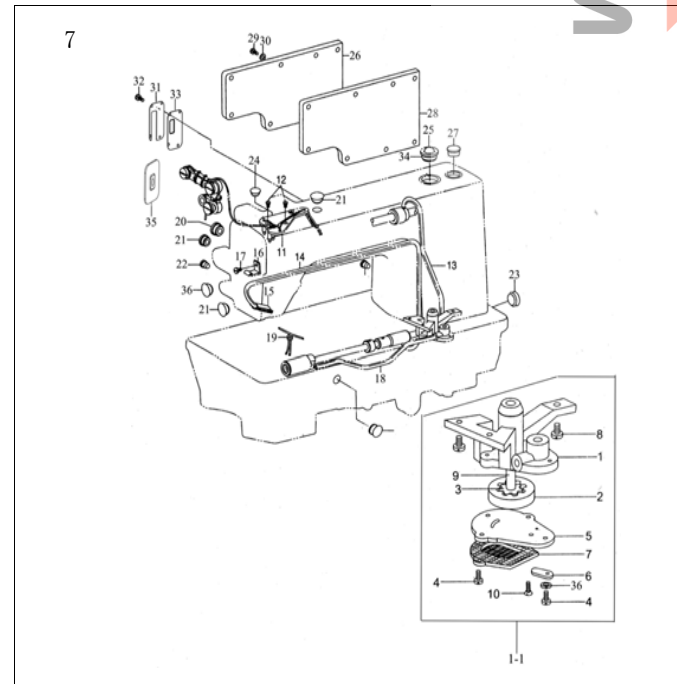
### 5. 压脚部件 Presser Foot

序号NO.	公司件号	Part NO.	名称PartName	零件描述Description	数量Number
1	13S11005		压脚板手	Presser bar lifter	1
2	13S115017		压脚板手螺钉	Set screw	1
3	13S10004		压脚板提升凸轮	Presser bar lifting cam	1
4	001009		O型圈 4.5x1.8	O-ring	1
5	13S27012		辅助调压弹簧	Presser spring	1
6	13S12013		膝腔提升杆(左)	Knee lifter lever (left)	1
7	13S10005		松线凸轮	Tension releasing cam	1
8	13S11026		膝腔提升杆(左)螺钉	Knee lifter lever (left) screw	1
9	13S11027		铰链螺钉	Hinged screw	2
10	13S112014		膝腔提升杆	Knee lifter rod	1
11	13S11028		松线凸轮螺钉	Screw	1
12	13S02018		松线杆	Tension releasing pin	1
13	13S12015		膝腔提升杆(右)	Knee lifter lever (right)	1
14	13S27010		膝腔提升杆(右)弹簧	Presser spring	1
15	13S12016		膝腔提升杆(右)簧簧	Knee lifter connecting rod	1
16	13S29005		簧簧销	Pin for spring	1
17	13S12002		膝腔提升杆(右)螺钉	Knee lifter lever (right) screw	1
18	13S03013		压脚杆轴套	Presser bar bushing	1
19	13S02019		压脚杆	Presser bar	1
20	13S05009		压脚杆导架	Presser bar lifting bracket	1
21	13S15003		压脚杆导架螺钉	Set screw	2
22	13S12017		防护勾	Defend tick off	1
23	13S27011		压脚杆簧簧	Presser spring	1
24	13S30004		调压螺钉	Lock nut	1
25	13S16003		调压螺钉锁紧螺母	Set screw	1
26	01S11009		压脚螺钉	Screw	1
27	13S28007		垫圈	Washer	1
28	13S16001		小压脚	Presser loot complete	1
29	13S13012		大线勾螺钉	Screw	1
30	01S11002		大线勾	Upper thread guide	1
31	13S30005		辅助调压螺钉	Auxiliary lock nut	1
32	0122034		压脚防油套		1
33	13S1201200		膝腔提升杆(左)组件	Knee lifter lever (left)asm	1



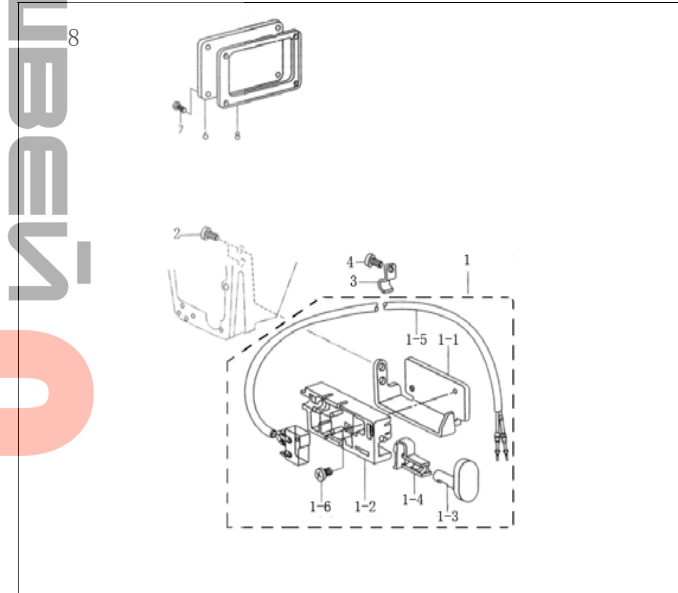
### 6. 上送料部件 Upper feed Parts

序号NO.	公司件号	Part NO.	名称PartName	零件描述Description	数量Number
1	13S11004		压脚送料变动连接螺母	Nut	2
2	13S08003		压脚送料压板垫块	Shim	1
3	13S11005		压脚送料压板螺母	Nut	1
4	W01003		压脚送料连接垫圈6	Washer	1
5	13S30006		送料曲柄轴	Guide shaft	1
6	13S08004		提升压脚轴衬套	Needle of bearing	1
7	13S16002		压脚脚	Walking foot	1
8	13S11030		压脚螺钉	Screw	1
9	30S11007		摆动送料螺母垫圈4	Washer	4
10	W02002		摆动送料螺母垫圈4	Washer	2
11	13S01004		压脚送料变动连接螺母	Holder for walking foot bar	1
12	13S05010		压脚送料变动连接螺母	Link of walking foot	1
13	13S20009		压脚送料变动连接螺母	Screw	1
14	13S05011		压脚送料变动连接螺母	Screw	1
15	13S26006		压脚送料变动连接螺母	Pin	1
16	13S0202000		压脚送料变动曲柄轴组件	Crank shaft complete	1
17	13S04008		压脚送料变动曲柄轴	Presser swing shaft	1
18	13S11032		前曲柄螺钉	Screw	1
19	10S11008		提升压脚定位板螺钉	Screw	4
20	13S09004		提升压脚定位板	Lifting presser plate	1
21	13S20003		压脚送料曲柄轴螺钉	Screw	1
22	13S04009		压脚送料曲柄轴	Presser lifting crank	1
23	W02009		销钉	Pin	1
24	W02001		六角螺母M3.0, T5	Nut	1
25	13S20007		压脚送料调整螺钉	Lifting presser adjusting screw	1
26	13S11006		压脚送料调整螺母	Lifting presser adjusting nut	2
27	13S12018		压脚送料调整架	Lifting presser bracket for spring	1
28	13S05012		压脚送料曲柄轴	Presser feed crank link	1
29	13S11034		压脚送料曲柄轴	Screw	2
30	13S04010		压脚送料曲柄轴	Presser feed crank	1
31	13S27013		压脚送料曲柄轴	Lifting presser spring	1
32	13S0202100		压脚送料曲柄轴	Presser spring guide	1
33	13S01005		提升压脚定位板	Lifting presser guide plate	1
34	13S01006		提升压脚轴	Presser rod guide	1
35	11611005		提升压脚轴连接板螺钉	Screw	2
36	13S12019		提升压脚轴连接板	Lifting presser sway crank guide pin	1
37	13S04011		提升压脚轴连接板	Feed rocker shaft crank asm	1
38	10S11016		送布轴曲柄(中)螺钉	Screw	1
39	10S11025		送布轴曲柄连接销钉	Screw	1
40	13S20004		送布轴曲柄连接销钉	Screw	1
41	13S10006		压脚升降偏心轮	Eccentric wheel	1
42	10S115007		螺钉	Screw	2
43	13S05013		连杆	Eccentric wheel rod	1
44	13S20005		压脚送料曲柄轴螺钉	Screw	1
45	13S05014		压脚送料曲柄轴	Presser swing crank(right)rod	1
46	13S11035		偏心送料调节曲柄螺钉	Screw	1
47	13S04012		压脚送料曲柄轴	Presser swing crank(right)	1
48	13S03014		压脚送料曲柄轴	Presser swing shaft bushing (right)	1
49	13S20006		偏心送料调节曲柄	Presser swing (right)	1
50	W03012		轴套C型挡圈	C-type stop ring	1
51	13S28008		垫圈	Washer	1
52	13S04013		偏心送料调节曲柄	Presser lifting shaft	1
53	13S02022		压脚升降轴	Shaft	1
54	13S03015		压脚升降轴套	Presser lifting shaft bushing	1
55	13S115008		垫圈	Screw	3
56	13S08001		垫圈	Thrust collar asm.	1
57	13S115004		垫圈	Screw	2
58	13S08006		压脚送料轴套	Presser swing shaft bushing (left)	1
59	13S02023		压脚送料轴套	Presser swing shaft	1
60	13S115018		压脚送料轴套	Screw	1
61	1142200800		摆动送料轴套油封	Oil seal	1
62	10S11002		偏心送料轴套油封	Oil felt for needle bar	1
63	13S27015		偏心送料轴套油封架	Spring	1
64	13S12020		提升压脚轴套	Lifting presser guide plate	1
65	13S11036		导柱架螺钉	Screw	1
66	P03035		弹性销钉3X8	Spring plug	2
67	13S113002		后曲柄螺钉	Screw	1
68	13S20011		压脚送料轴套	Screw	1
69	13S03016		压脚送料轴套	Presser lifting shaft bushing	1



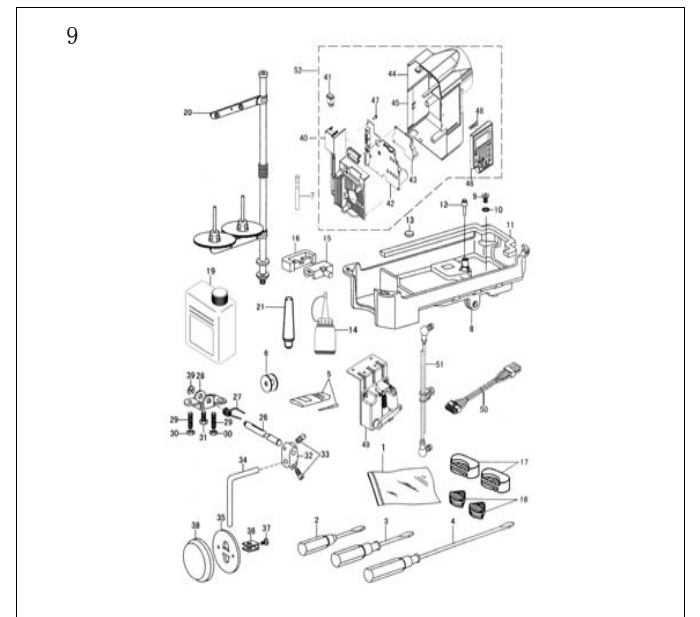
### 7. 油泵部件 Oil pump and Lubrication mechanism

序号NO.	公司件号	Part NO.	名称PartName	零件描述Description	数量Number
1-1	13S20020		油泵部件	Oil pump asm	1
1	13S20001		油泵壳体	Oil pump	1
2	13S25005		油泵大齿轮	Big gear for oil pump	1
3	13S25006		油泵小齿轮	Small gear for oil pump	1
4	13S11037		油泵调节螺钉	Screw	3
5	13S12021		油泵壳体盖	Cover for oil pump	1
6	13S12022		油泵调节板	Adjusting plate for oil pump	1
7	13S12023		油泵滤网	Filter complete	1
8	10S11019		油泵轴	Shaft for oil pump	1
9	13S02024		油泵轴套	Screw	2
10	902024		油泵轴套	Screw	2
11	13S1202400		油泵轴套	Oil wick set plate complete	1
12	10S11010		油泵轴套	Screw	2
13	13S2100700		油泵轴套	Oil pipe complete for upper shaft	1
14	4221001		油泵轴套	Oil pipe complete for 3X4	1
15	13S22003		油泵轴套	Oil felt	1
16	13S12025		油泵轴套	Pipe return pipe clamp	1
17	20S11014		油泵轴套	Screw	1
18	13S2100100		油泵轴套	Oil pipe for arm shaft	1
18-1	13S21001		油泵轴套	Oil pipe for shaft	1
18-2	13S30001		油泵轴套	Oil wick	2
19	0422004		油泵轴套	橡胶垫片(φ19)	1
20	13S22001		油泵轴套	橡胶垫片(φ11.8)	4
21	13S22002		油泵轴套	橡胶垫片(φ8.8)	2
22	13S22003		油泵轴套	橡胶垫片(φ27)	1
23	13S22004		油泵轴套	橡胶垫片(φ5.7)	1
24	13S22005		油泵轴套	橡胶垫片(φ5.7)	1
25	0111004		油泵轴套	侧板	1
26	3011759		油泵轴套	侧板	1
27	13S22008		油泵轴套	橡胶垫片(φ25.5)	1
28	13S22006		油泵轴套	Gasket	1
29	11S11001		油泵轴套	Screw	8
30	0128003		油泵轴套	Washer	8
31	3011761		油泵轴套	Loop off plate	1
32	01S11005		油泵轴套	Screw	4
33	13S22011		油泵轴套	Gasket	1
34	0122019		油泵轴套	O-ring	1
35	13S22018		油泵轴套	油泵轴套	1
36	012022		油泵轴套	油泵轴套	1



### 8. 开关组件 Switch components

序号NO.	公司件号	Part NO.	名称PartName	零件描述Description	数量Number
1	12S3000100		脚踏电铁开关组件	Switch assembly	1
1-1	13612013		脚踏电铁开关安装架	Switch mounting bracket	1
1-2	13611002		脚踏电铁开关	Switch Block	1
1-3	13611003		脚踏电铁开关	Key switch	1
1-4	13611004		脚踏电铁开关触点	Switch contact member	1
1-5	13630002		脚踏电铁开关	Switch assembly	1
1-6	136S11014		脚踏电铁开关螺钉	Screw	1
2	0111004		脚踏电铁开关	Screw	1
3			脚踏电铁开关	Clamps	3
4	01S11002		脚踏电铁开关	Screw	1
6	302862		脚踏电铁开关	Backswitch solenoid cover	1
7	30S11011		脚踏电铁开关	Screw	4
8	13S28009		脚踏电铁开关	Solus	1



### 9. 附件 Oil Reservoir Accessories

序号NO.	公司件号	Part NO.	名称PartName	零件描述Description	数量Number
1	01S1017		机头罩	Machine head cover	1
2	10S11004		螺钉起子(小)	Screw driver (small)	1
3	10S11003		螺钉起子(中)	Screw driver (middle)	1
4	10S11002		螺钉起子(大)	Screw driver (large)	1
5	13S17001		机针	Needle	4
6	10S18501		机芯	Bobbin	5
7	11S12001		过线柱	Needle bar crank	1
8	13S01007		油盒	Oil reservoir	1
9	13S11041		油盒螺钉	Screw	1
10	001047		油盒螺母	Nut	1
11	13S23006		油盒垫	Gasket	1
12	13S11006		膝腔提升杆	Knee press lifter rod	1
13	10S13001		磁块	Magnet	1
14	20S13038		小铁架	Oil pot	1
15	01S12060		机壳胶套	Rubber coat	2
16	01S120100		机壳胶套	Rubber coat	2
17	01S2023		机壳前盖垫块(大)	Cushion (big)	2
18	01S2022		机壳前盖垫块(小)	Cushion (small)	2
19	01S1101200		油桶	Oil tank	1
20	01S1100700		线架组件	Spool stand complete	1
21	01S11011		机头支柱	Frame support bar	1
22	13S02025		膝腔提升杆	Spring	1
23	13S27014		膝腔提升杆	Spring	1
24	13S12026		膝腔提升杆	Knee lifter stop bracket	1
25	13S15019		膝腔提升杆螺钉	Screw	2
26	W01029		调节螺母	Nut	2
31	13S12003		膝腔提升杆螺钉	Screw	1
32	10S1008		膝腔提升杆接头	Connector	1
33	01S12003		膝腔提升杆接头	Screw	2
34	01S12028		膝腔提升杆	Best rod	1
35	01S12029		膝腔提升杆	Bell	1
36	01S12030		膝腔提升杆	Bell bracket	1
37	01S12004		膝腔提升杆	Screw	1
38	01S2021		膝腔提升杆	Pat	1
39	800011		膝腔提升杆	Split stop ring	1
40			膝腔提升杆	Best sink	1
41			膝腔提升杆	Electric control switch	1
42			膝腔提升杆	Circuit board	1
43			膝腔提升杆	A small circuit board	1
44			膝腔提升杆	The motor housing	1
45			膝腔提升杆	The side cover	1
46			膝腔提升杆	Operation panel	1
47			膝腔提升杆	Circuit board connecting screws	6
48	136S13001		膝腔提升杆	Casing connection screws	3
49			膝腔提升杆	Electric control pedal	1
50			膝腔提升杆	The power cord	1
51			膝腔提升杆	Pedal connecting rod	1
52	136S302000		膝腔提升杆	Simple model electric control	1
53	116S30001		膝腔提升杆	Casing connection screws	1